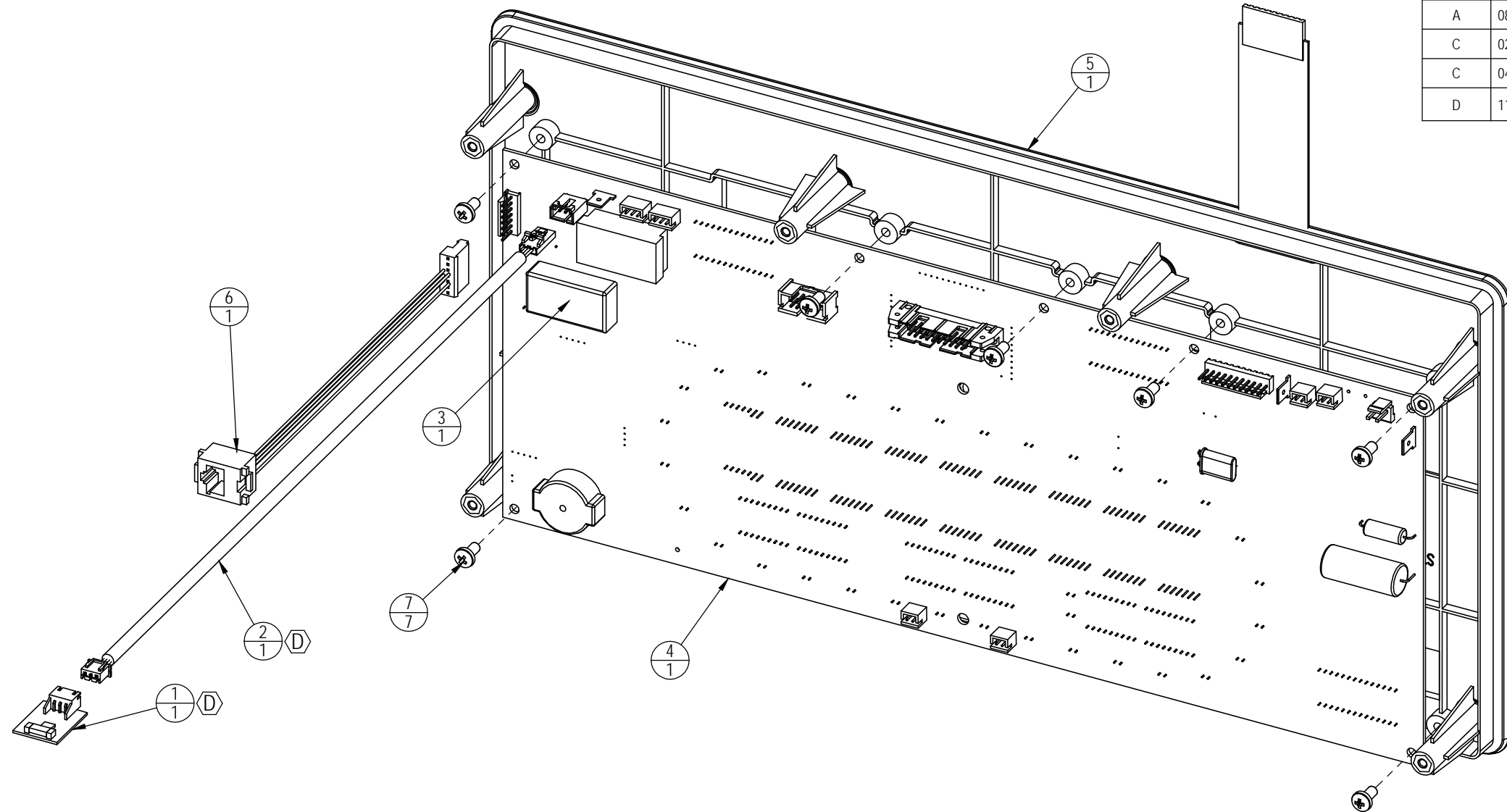


REVISION HISTORY				
REV	DATE	DESCRIPTION	ECO	BY
A	08-01-07	INITIAL RELEASE OF PRODUCTION	11699	SJ
C	02-13-08	ADD SOFTWARE VERSION 1.3	11814	AK
C	04-09-08	ADD 740-6207	11878	SJ
D	11-11-09	REMOVE P/N: 715-3518 QTY.1; ADD P/N: 715-3864 QTY.1 & 718-5196 QTY.1	12313	SJK



ITEM NO.	ST P/N	INRAY P/N	DESCRIPTION	Default/QTY.
1	715-3864	715-3864	ASSY, WIRELESS HR, POLAR, 92cm L.R.	1
2	718-5196	718-5196	ASSY, CABLE, WIRELESS HR	1
3	740-0015	740-0015	CHIP, CHR, SALUTRON 4000LX	1
4	740-6001	740-6001	ASSY, DISPLAY ELEC, S-TRc	1
5	740-6051	740-6051	ASSY, KEYPAD & VEZEL, S-TRc	1
6	740-6207	740-6207	ASSY., CONN., FITLINNX/CARDIO, S-SERIES	1
7	740-6521	GB818M4*8; 2	SCREW, GB818M4*8	7

NOTICE OF PROPRIETARY INFORMATION
 THIS DOCUMENT SHALL NOT BE REPRODUCED NOR SHALL THE INFORMATION CONTAINED HEREIN BE USED BY OR DISCLOSED TO OTHER EXCEPT AS EXPRESSLY AUTHORIZED BY UNISEN INC. D.B.A. STAR TRAC.

**DOCUMENT STATUS:
RELEASE**

CLASS OF WORK	UNLESS OTHERWISE SPECIFIED DIMS ARE IN mm. TOLERANCES FOR MEASURE OF LENGTH ARE:							
	0.5 to 3	> 3 to 6	> 6 to 30	> 30 to 120	> 120 to 400	> 400 to 1000	> 1000 to 2000	> 2000
FINE	±0.05	±0.05	±0.1	±0.15	±0.2	±0.3	±0.5	----
MEDIUM	±0.1	±0.1	±0.2	±0.3	±0.5	±0.8	±1.2	±2
COARSE	±0.2	±0.3	±0.5	±0.8	±1.2	±2	±3	±4
VERY COARSE	----	±0.5	±1	±1.5	±2.5	±4	±6	±8

MATERIAL SEE BOM
 FINISH N/A
 VENDOR: DCI

THIRD ANGLE PROJECTION		
DRAWN	INITIAL FJM	DATE 07-24-07
CHECKED		
APPROVED		

UNISEN, INC. DBA

 14410 Myford Road
 Irvine CA 92606

STARTRAC PART NO: 740-6094
 TITLE: ASSY, DISP PANNEL & BOARD, TRc
 SCALE: 1:1 | SHEET 1 OF 1 | SHEET SIZE: B

P/N: ASR-DTGDU-1B

U.O.M. INCH

REV D